

Product lineup



Product image



TD54A



TD54B

Features

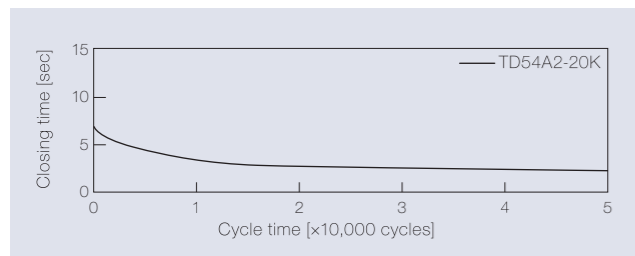
- Made with chemical-resistant PBT plastic is used
- 100% plastic version of TD133

Product name	Torque [N·m] (lb·in)	Damping direction	Shaft color
TD54A2-8K	0.78 (6.90)	CW	Natural
TD54A2-10K	0.98 (8.67)		
TD54A2-15K	1.47 (13.01)		
TD54A2-20K	1.96 (17.35)		

Product name	Torque [N·m] (lb·in)	Damping direction	Shaft color
TD54B2-8K	0.78 (6.90)	CCW	Fog blue
TD54B2-10K	0.98 (8.67)		
TD54B2-15K	1.47 (13.01)		
TD54B2-20K	1.96 (17.35)		

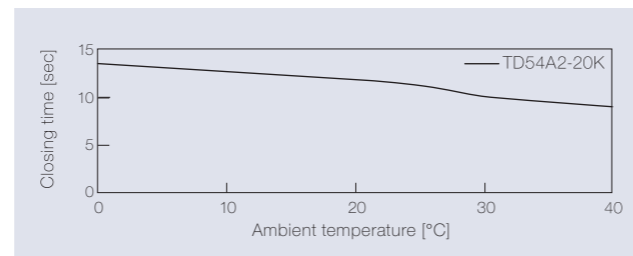
Product specifications

Durability



Torque	1.96 N·m (17.35 lb·in)
Radial load	N/A
Angle range of closing time	70 to 0 deg.
Temperature	23 ± 2°C (73.4 ± 35.6°F)
Durability	50,000 cycles

Temperature characteristics



Measured according to the performance management testing method shown below after leaving in each designated ambient temperature for over one hour.

Performance management testing method

As the torque of partial rotation angle dampers is not consistent, the closing time measurement jig is used for the performance tests.

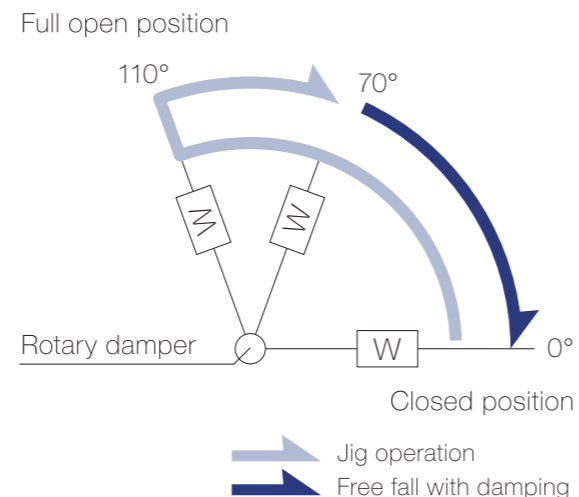
[Operation during measurement]

(Secures the housing of a rotary damper and moves its shaft)

All rotary dampers are managed by the following closing time test.

Test mode [110° → 70° (Pause) → (Free fall with damping) → 0°]

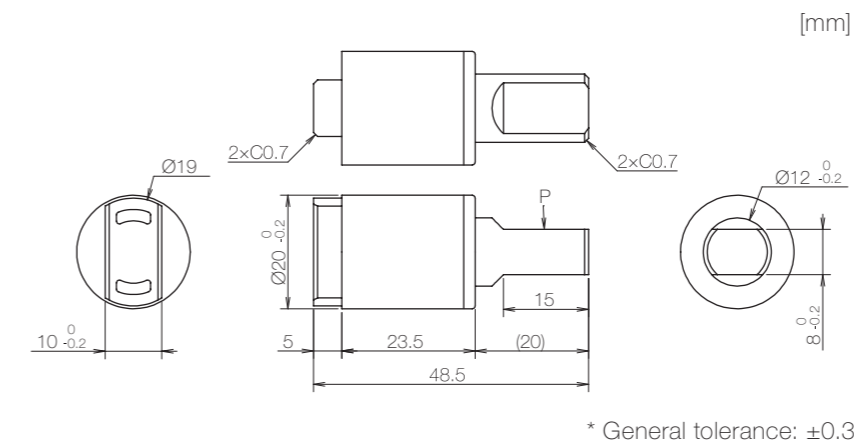
* Horizontal plane: 0°



Inspection specification before shipping

Type	Preset torque [N·m] (lb·in)	Closing time
8K	0.78 (6.90)	5 to 20 sec
10K	0.98 (8.67)	
15K	1.47 (13.01)	
20K	1.96 (17.35)	

Product information

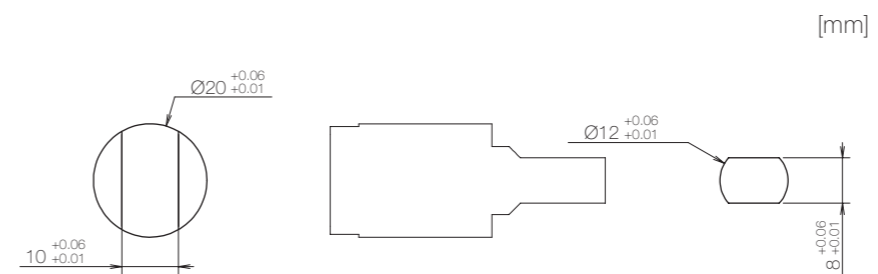


- Opening angle: 110°
- Product weight: Approx. 13 g
- Allowable radial load (P): 29.4 N

Main materials

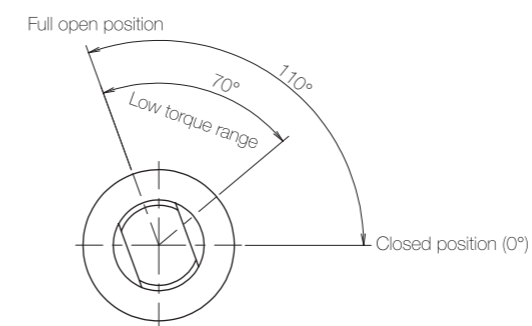
Housing	Plastic (PBT)
Cap	Plastic (PBT)
Shaft	Plastic (PBT)

Dimensions related to mounting

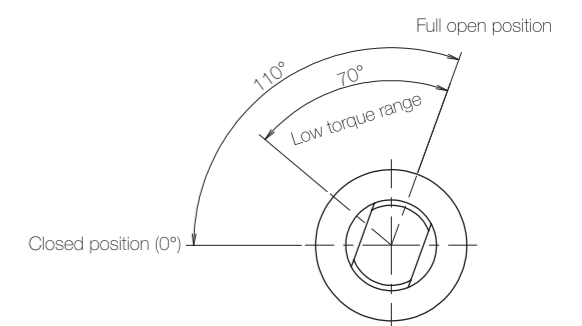


Opening angle

TD54A



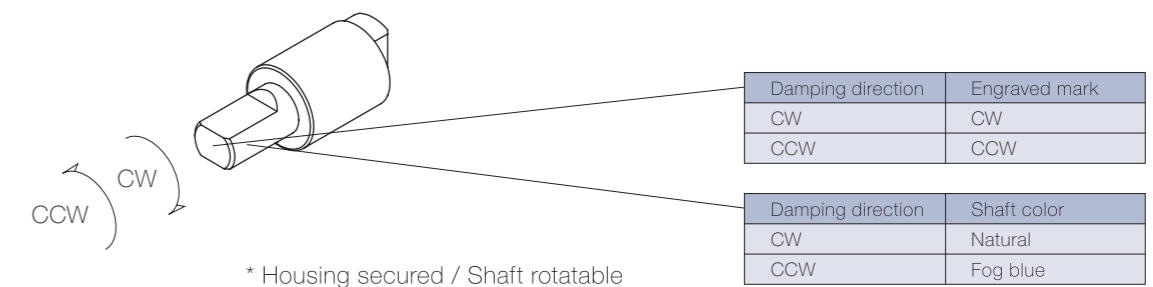
TD54B



* Shaft position at the time of shipping: Closed position

Damping directions

Rotation directions of the shaft to which torque is applied



* Housing secured / Shaft rotatable