

## TCK for transmitting rotational force only in one direction



TCK is a one-way clutch that has a slide bearing and a thin width, which is compact and improve design flexibility.

### BENEFIT

- Can be used by press-fitting into various shaped housings such as gears, pulleys, levers and cams.
- Space-saving design
- Expects the cost reduction since the wide tolerance shaft can be used.
- Since the shaft has a large tolerance, it reduced cost.
- Long lifetime thanks to no grease.

Code	Part No.	Allowable Torque 【N·m】 (lbf·in)	Idling Torque 【mN·m】 (lbf·in)	Backlash 【°】	Lock Direction 【Shaft Fixed】	Shaft Diameter 【mm】
488999	TCK-614-B-C	0.59 (5.22)	2.94 or less (0.03)	2.5 or less	CCW	φ6 <sup>0</sup> <sub>-0.03</sub>
488998	TCK-614-RB-C	0.59 (5.22)	2.94 or less (0.03)	2.5 or less	CW	

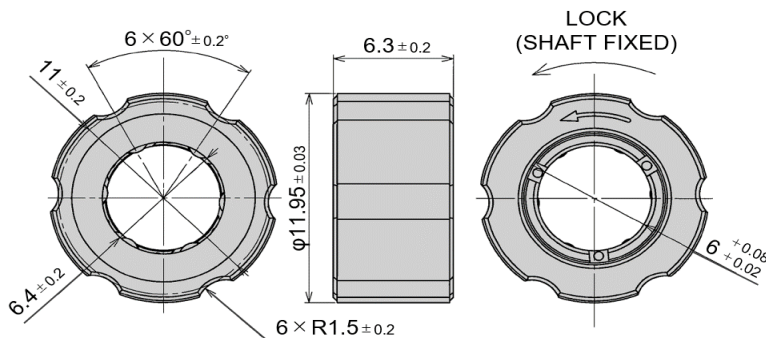
### HOUSING DIMENSIONS

Minimum Housing Dimensions [mm]		
Outside	Width	Inside
φ14 ≤	7.3 ≤	φ6 <sup>+0.08</sup> <sub>+0.02</sub>

### OPERATION TEMPERATURE

Operation Temperature [°C] (°F)
0 - 60°C (32 - 140°F)

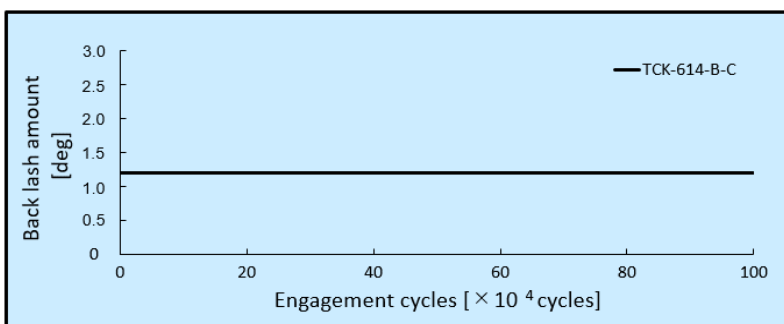
### CLUTCH ELEMENT DIMENSIONS [ Type: TCK-614-B-C ]



### MAIN MATERIALS

Part name	Material
Outer sleeve	Sintering
Retainer	Plastic
Needle	Bearing Steel
Spring	Stainless
Cover	Stainless

### DURABILITY

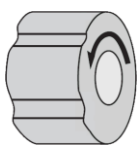


### TEST CONDITION

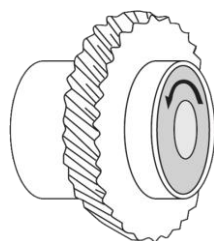
- ① Swinging cycle: 240 times / min
- ② Swinging angle: 30°
- ③ Radial load: 9.8N (2.20lbf)
- ④ Durability : 1,000,000 cycles
- ⑤ Shaft tolerance range: φ5.97mm
- ⑥ Surface hardness: 670 Hv

### ASSEMBLY

It is possible to provide clutches assembled in the housing.



Single Item



Assembling with Customized Housing

### RECOMMENDED SHAFT

Material	Stainless Bearing steel Carbon tool steel
Processing	Heat treatment 700Hv.1 *Please refrain from plating use
Shaft Diameter	φ6 <sup>0</sup> <sub>-0.03</sub>

