

TD102 SERIES

RoHS

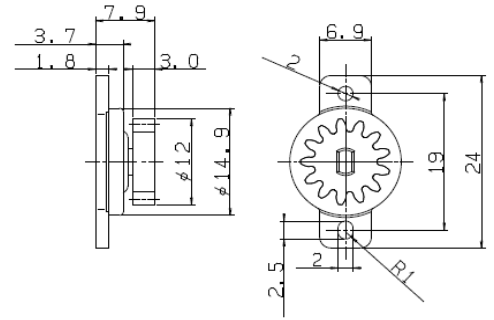


FEATURES

- Compact and thin type
- Both directions
- Infinite angle
- Light weight

APPLICATION EXAMPLES

- Small door



Code	Part No.	Torque mN · m	Initial Torque mN · m	Direction	Color of Shaft
610205	TD102W1-25	2.5	±1.0	CW / CCW	White
610204	TD102W1-40	4.0	±1.0	CW / CCW	Yellow
610203	TD102W1-60	6.0	±1.5	CW / CCW	Purple
610202	TD102W1-80	8.0	±1.5	CW / CCW	Green
610201	TD102W1-120	12.0	±2.0	CW / CCW	Black
610200	TD102W1-150	15.0	±2.0	CW / CCW	Red

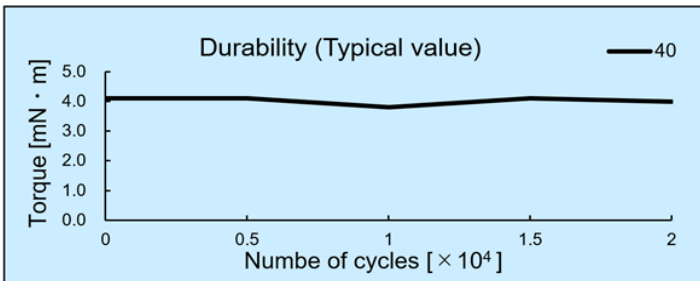
Gear Specification	
Profile of Gear	Standard Spur Gear
Tooth Profile	Full Depth Tooth
Module	0.8
Pressure Angle	20°
Number of Teeth	13
P.C.D [mm]	Φ10.4

※Do not apply some axial & radial forces to gear/shaft.

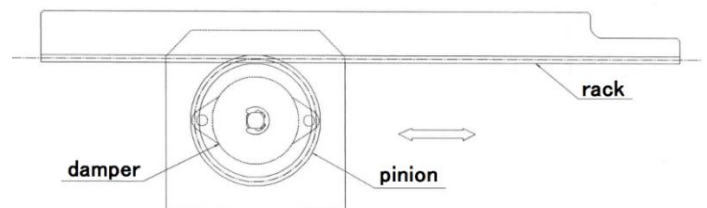
※Operation temperature : 0°C~40°C (Special designing for use -20°C~60°C is also available)

DURABILITY

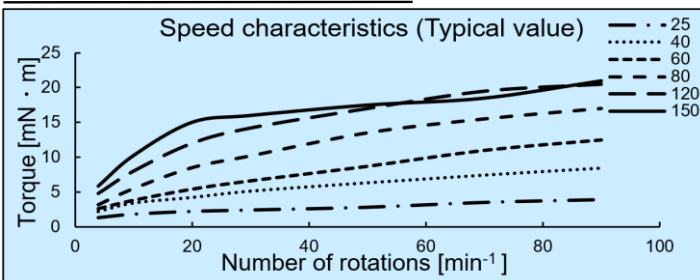
The torque is measured at 20min⁻¹ (20rpm)



Durability	20,000 cycles	
Part No.	Initial Torque	Revolution Speed
	mN · m	min ⁻¹
TD102W1-40	3.0 ~ 5.0	20

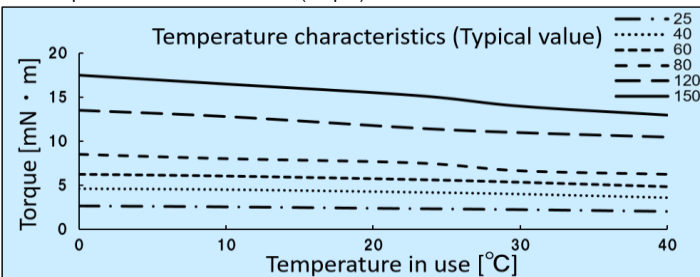


SPEED CHARACTERISTICS



TEMPERATURE CHARACTERISTICS

The torque is measured at 20min⁻¹ (20rpm)



TEST CONDITION

- ① Test method : Rack and Pinion
- ② Number of cycle : 20,000 cycles
- ③ Length of rack : $l = 65\text{mm}$
- ④ Moving speed : 16mm/sec
- ⑤ Revolution speed : 30min⁻¹
- ⑥ Pinion : Same as the above gear specification
- ⑦ Number of revolution per cycle : approx 2 rev. (one-way)

STANDARD COMPONENTS

Part name	Material
Housing	PC
Shaft	POM
Cap	PC
Gear	POM

TOK America, Inc.

OFFICE, CA, USA TEL:+1-844-486-5872 FAX:+1-949-281-6338
EMAIL:contact@tok-usa.com

Product specification are subject to change without prior notice.