

First 4.0 N·m with $\Phi 16$ -diameter damper in the industry

<Features>

- ◆ Maximum Torque: 4.0 N·m
- ◆ Durability : 50,000 times

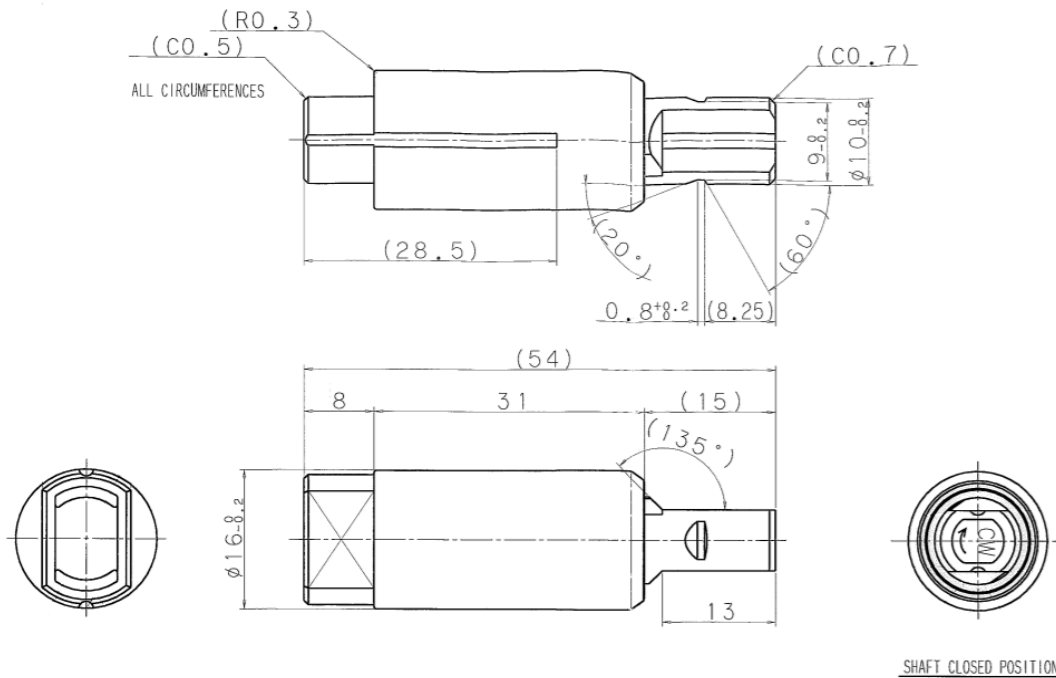


<Standard Specification>

- Operation Angle : 110 degrees
- Closing Time : 5-15 seconds
- Operating Temperature : 0-40°C

<Standard Components>

Part Name	Material
Housing	ZDC
SHAFT	ZDC
CAP	PBT



TOK America, Inc.

<https://tok-usa.com/>

400 Barrance Pkwy, Ste 250, Irvine, CA 92604 USA

Tel: 1-949-262-3663 Fax: 1-949-262-3664